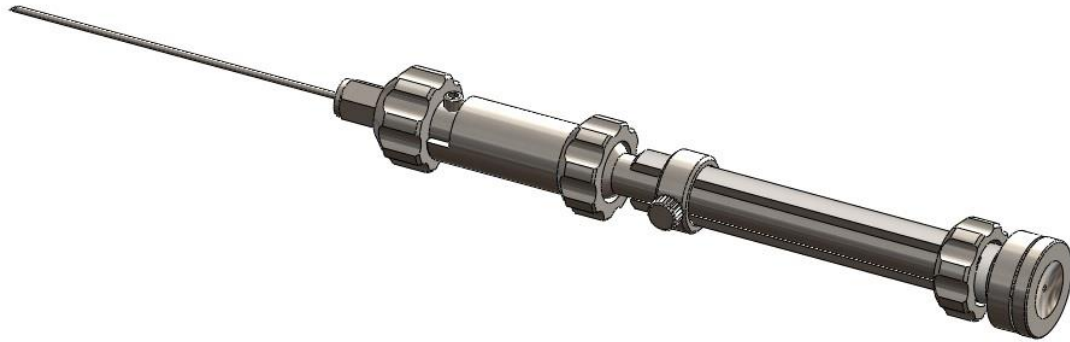


ProSyringe

ProSyringe



Features

- High pressure sampling syringe manufactured from stainless steel
- Designed for use with Proserv ProMix bench for sub-sampling and water cut analysis
- Suitable for sub-sampling from a wide range of sampling equipment
- Capacity: 0 to 1cc with bleed port facility
- Robust design, complete with safety stop to prevent plunger blowout.
- Fitted with a twist type on/off valve and a 45° bevel needle.
- Each ProSyringe is engraved with a unique serial number and supplied with a pressure test certificate.
- Optional locating screw for accurate volume calibration (add -LS suffix to part number).

Description	
Part Number	850828
Net Volume	1cc
M.A.W.P	3000 psi @ Ambient temperatures
Material	316 Stainless Steel - NACE approved material of construction.
Net Weight	66g
Dimensions (mm)	Length without needle and in closed position: 125mm Max. dia. 15mm
Documentation	
Standard	Hydrostatic Pressure Test Certificate Letter of Conformity
Option	Material certificate: BS EN ISO 10204, 3.1 on pressure containing parts. Volume calibration certificate (for syringes with -LS suffix)

Design	
Code	PD 5500 Pressure Vessel Code
Service	UN 1267 - Petroleum Crude Oil UN 1075 - Petroleum gases, liquefied UN 1954 - Compressed Gases, flammable, n.o.s. UN 1971 - Natural gas, compressed UN 1066 - Nitrogen, compressed Formation water: Water with dissolved salts in various quantities and compositions.
Transportation Case Options	Option 1: Suitable for 1 off ProSyringe complete with foam inserts Option 2: Suitable for 3 off ProSyringe complete with foam inserts.

ingenious simplicity

Proserv Oil & Gas Sampling – UK
T: 01224 737150 E: sampling@proserv.com
www.proserv.com

proserv

PNS 0351-8-Rev-0-Issue-2